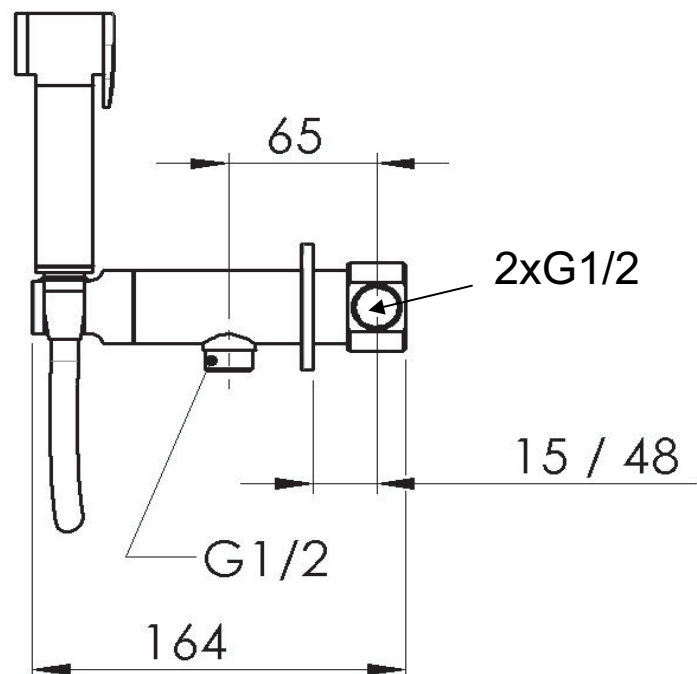
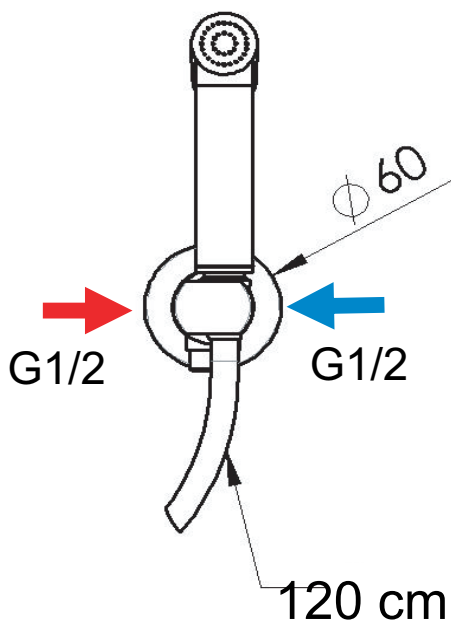


MANOPOLA FLUSSO  
FLOW KNOB  
APERTURA PROGRESSIVA  
PROGRESSIVE OPENING



**MATERIALI / MATERIALS**

OTTONE CROMATO / CHROME PLATED BRASS

ACCIAIO INOX / STAINLESS STEEL

**CROMATURA / CHROME PLATING**

UNI EN 248